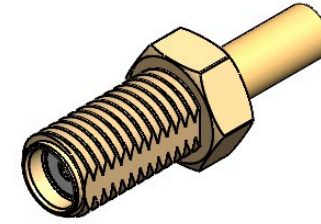


Revisions

Issue	Date	Note
1	09/06/2026	See GTXPDC/1219



f Mechanical

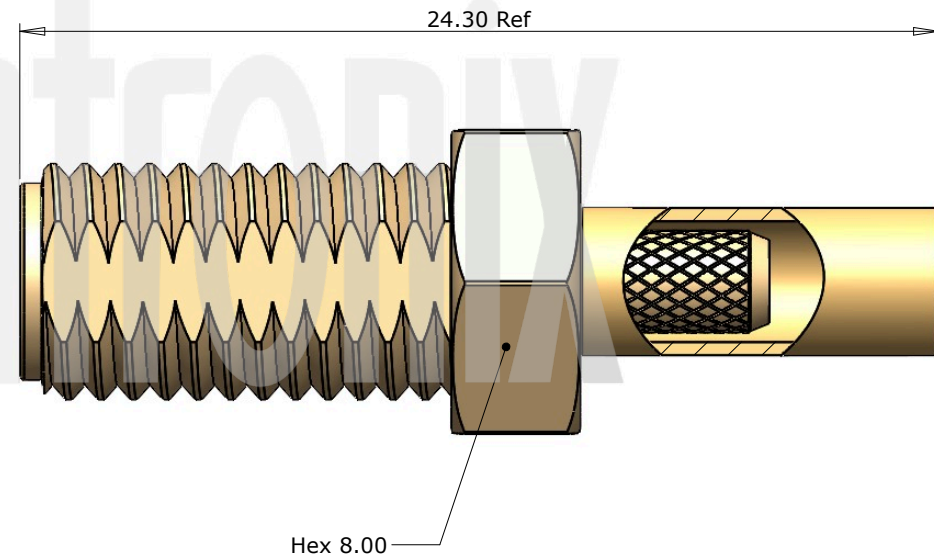
Cable Retention	Equal to breaking strain of cable
Contact Termination	Crimp or Solder
Durability	500 mating cycles
Fixing Method	Crimp

2. Environmental

RoHS Compliant	Yes
Temperature Range	-65 to +165 degrees C

3. Electrical

Dielectric Withstanding	750 Volts RMS Maximum
Impedance	50 ohms
Interface Frequency	12.4 GHz
Working Voltage	335 Volts RMS Maximum



Issue	Date	Note
4	Ferrule	Brass
3	Dielectric	PTFE
2	Contact	Beryllium Copper
1	Body	Brass
	Description	Material
		Finish

Unless otherwise specified tolerances
 0.5-5 = ±0.2
 >5-30 = ±0.4
 >30-120 = ±0.6
 >120-315 = ±1.0
 >315-1000 = ±1.6
 Angles = ±5°
 Units = mm

This document is the confidential property of Gigatronix Limited and may not be copied, reproduced or transmitted to any third party without written authorisation.



Part Number MA10-0174-C01
Title: SMA Crimp Jack, Gold Plated, RG174, LBC100, RG316

Author	PP
Drawn by	PP
Drawing date	09/06/2026
Checked by	DB
Checked date	10/06/2026
Scale	Not to scale

Revisions

Issue	Date	Note
1	09/06/2026	See GTXPDC/1219

ASSEMBLY INSTRUCTIONS

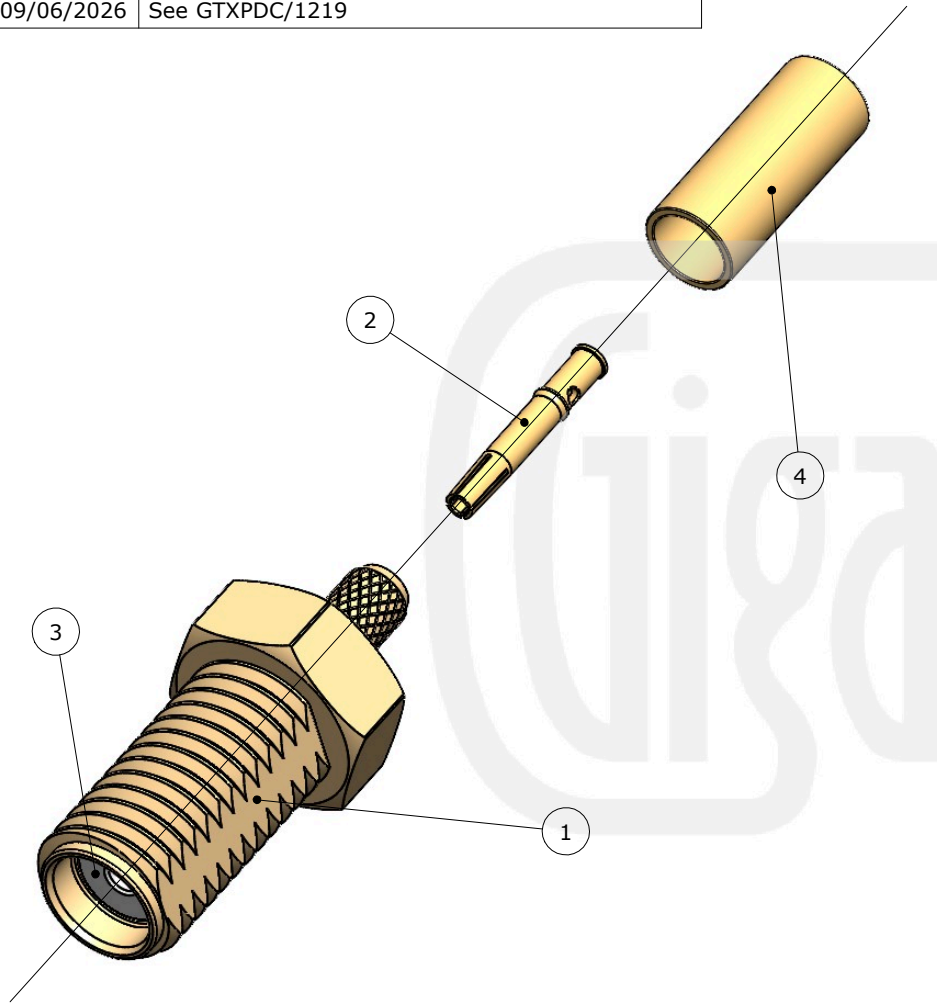
Assembly Instructions:

1) Slide the ferrule onto the cable and strip the cable to the dimensions as shown, taking care not to nick the centre conductor or braid



2) Crimp or solder the contact onto the centre core and then slide the contact into the body until it captivates, ensuring that the cable braid is on the outside of the connector mandril.

3) Slide the ferrule forward and crimp



Crimp Die Sizes:
3.25mm Hex., 1.07mm sq. or Hex.

Strip Dimensions:
A=5.5mm, B=4.0mm, C=2.5mm



Description	Material	Finish
4 Ferrule	Brass	Gold
3 Dielectric	PTFE	White
2 Contact	Beryllium Copper	Gold
1 Body	Brass	Gold

Unless otherwise specified tolerances
 0.5-5 = ±0.2
 >5-30 = ±0.4
 >30-120 = ±0.6
 >120-315 = ±1.0
 >315-1000 = ±1.6
 Angles = ±5°
 Units = mm

This document is the confidential property of Gigatronix Limited and may not be copied, reproduced or transmitted to any third party without written authorisation.



Author	PP
Drawn by	PP
Drawing date	09/06/2026
Checked by	DB
Checked date	10/06/2026
Scale	Not to scale

Part Number MA10-0174-C01
Title: SMA Crimp Jack, Gold Plated, RG174, LBC100, RG316