

**Revisions**

Issue	Date	Note
2	08/06/2026	See GTXPDC/1218

**DATASHEET**



**1. Mechanical**

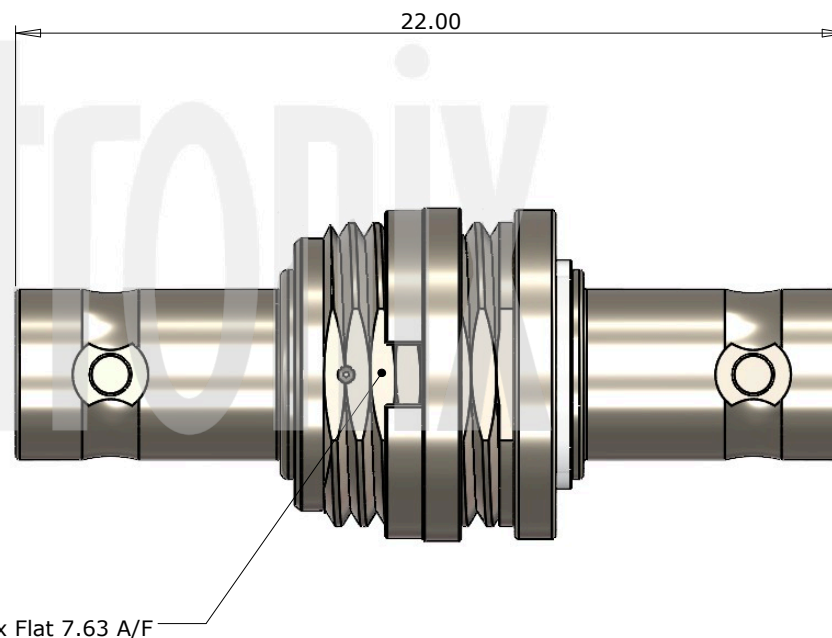
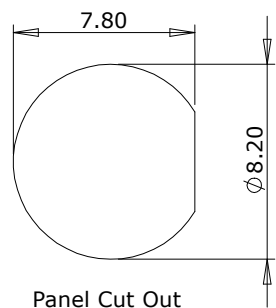
Contact Gender	Female
Durability	500 mating cycles
Fixing Method	Panel

**2. Environmental**

RoHS Compliant	Yes
Temperature Range	-65 to +165 degrees C

**3. Electrical**

Dielectric Withstanding	500 Volts RMS Maximum
Impedance	75 ohms
Interface Frequency	12 GHz
Working Voltage	500 Volts RMS Maximum



Description	Material	Finish
5 Lock Nut	Brass	Nickel
4 Insulator	PTFE	White
3 Dielectric	PTFE	White
2 Contact	Beryllium Copper	Gold
1 Body	Brass	Nickel

Unless otherwise specified tolerances  
 0.5-5 = ±0.2  
 >5-30 = ±0.4  
 >30-120 = ±0.6  
 >120-315 = ±1.0  
 >315-1000 = ±1.6  
 Angles = ±5°  
 Units = mm

This document is the confidential property of Gigatronix Limited and may not be copied, reproduced or transmitted to any third party without written authorisation.



<b>Author</b>	PJP
<b>Drawn by</b>	PJP
<b>Drawing date</b>	30/10/2017
<b>Checked by</b>	DB
<b>Checked date</b>	08/11/2017
<b>Scale</b>	Not to scale

<b>Part Number</b>	HD02-10-MD06-Z
<b>Title:</b>	HDBNC HDTV 12G SDI Bulkhead Jack to Jack Adaptor, Isolated, Nickel Plated, 75 ohms