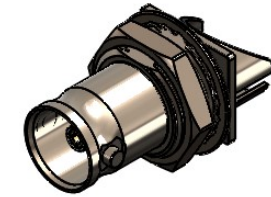


Revisions

Issue	Date	Note
2	25/07/2025	See GTXPDC/1123

DATASHEET



1. Mechanical

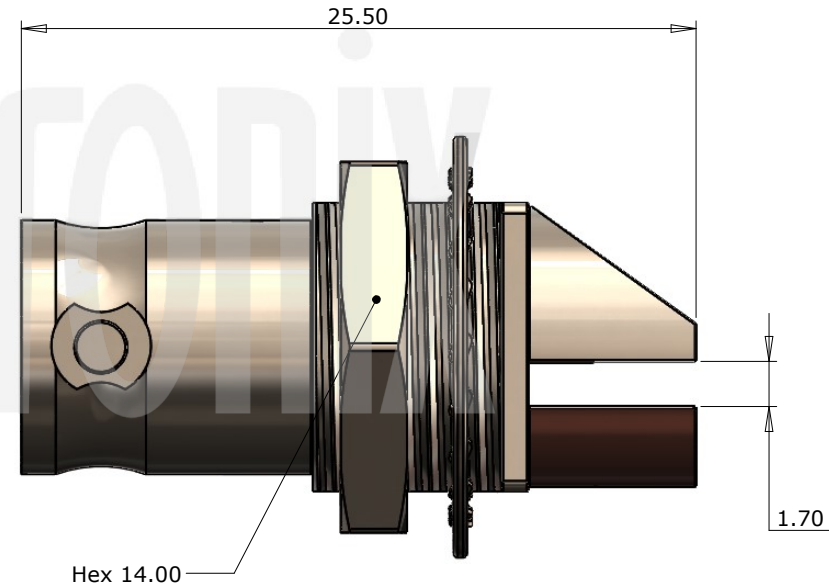
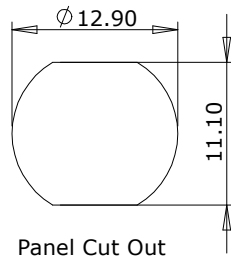
Fixing Method	PCB
Durability	500 mating cycles
Lock Nut Torque	4.0 - 4.5Nm (35-40 in-lbs)
Recommended PCB Thickness	1.57mm
Contact Gender	Female

2. Environmental

RoHS Compliant	Yes
Temperature Range	-65 to +165 degrees C

3. Electrical

Dielectric Withstanding	1500 Volts RMS Maximum
Impedance	75 ohms
Interface Frequency	12 GHz
Working Voltage	500 Volts RMS Maximum



Description	Material	Finish
5 Lock Nut	Brass	Nickel
4 Washer	SK5	Nickel
3 Insulator	PTFE	White
2 Contact	Beryllium Copper	Gold
1 Body	Brass	Nickel

Unless otherwise specified tolerances
 0.5-6 = ±0.2
 >6-30 = ±0.4
 >30-120 = ±0.6
 >120-315 = ±1.0
 >315-1000 = ±1.6
 Angles = ±5°
 Units = mm

This document is the confidential property of Gigatronix Limited and may not be copied, reproduced or transmitted to any third party without written authorisation.



Author	PJP
Drawn by	PJP
Drawing date	13/06/2025
Checked by	DB
Checked date	25/07/2025
Scale	Not to scale

Part Number BN02-X800-N06-TB1-Z

Title: BNC 12G SDI End Launch Bulkhead Jack, Brass Body, Nickel Plated, 1.57mm PCB, Hexagonal Locknut